



SAFETY INFORMATION

To prevent injury to yourself or your staff, and to avoid damaging the product, please read and follow the safety precautions below before setting up and using the unit:

- Remove all plastic coatings and clean the unit before use.
- Ensure that the electrical supply cable is not damaged.
- The unit must be earthed.
- Do not try to modify this unit.
- Never clean the unit with a water jet.
- Inform staff that the surfaces and base will become hot.
- Do not lean over the oven door when opening.
- Keep these instructions in a safe place for future reference.

INSTALLATION

- Install the unit on a heat-resistant work surface.
- This appliance should have at least 100mm clearance at the back , as it has a rear facing flue to enable two appliances to be stacked using our optional stacking kit. Where it is to be positioned in close proximity to walls, partitions, kitchen furniture, decorative finishes, etc., it is recommended that they be made of non-combustible material, or if not, be clad with a suitable non-combustible heat insulating material, and that the closest attention be paid to fire prevention regulations.
- Make sure that the surface is firm and level.
- Inform all users that the surfaces and base will become hot
- For safety regulations the plug or means of disconnection must always be accessible

Connecting to the electricity supply

ECO8

The unit must be earthed

Check that the voltage of your electricity supply corresponds to the voltage shown on the serial plate

The product is supplied with a 13 amp plug. If replacing the plug, connect the terminals as follows:

- | | | |
|-------------------------|---------|---|
| – Green and yellow wire | Earth | E |
| – Blue wire | Neutral | N |
| – Brown wire | Live | L |

ECO9

The unit must be earthed

Check that the voltage of your electricity supply corresponds to the voltage shown on the serial plate

This unit must be connected to the supply by a qualified electrician in accordance with Health and Safety at Work Acts and other relevant regulations, standards and codes of practice

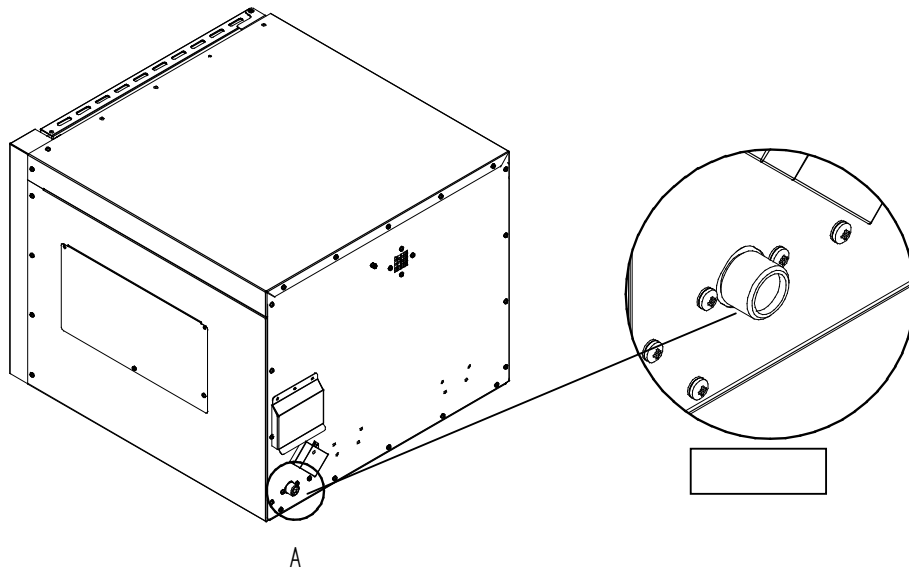
A means of disconnecting from the supply must be provided with at least 3mm contact separation in all poles

Connecting to the water supply

The water supply pressure must be from 0.2-10 bar

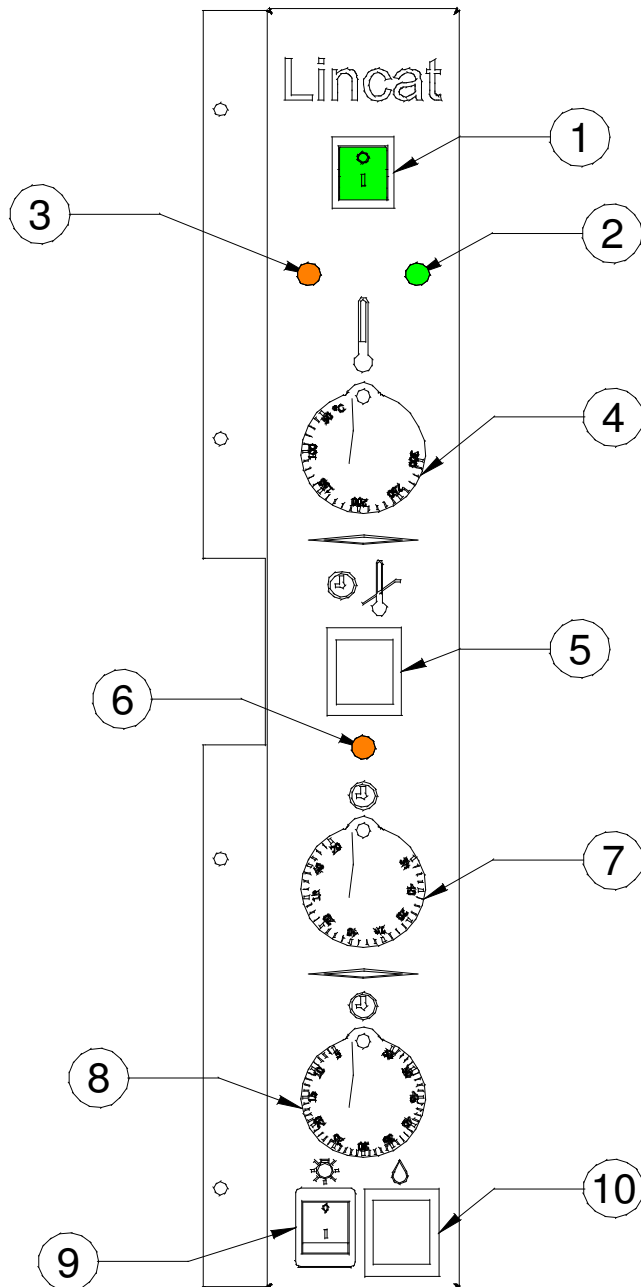
Screw one end of the white plastic feed hose to valve (A) on the back of the oven and the other end to your water supply tap.

Figure 1: Water Supply Valve



OPERATION

Figure 2: ECO8 / ECO9 Oven Controls



- 1 ON / OFF switch
- 2 Power supply indicator
- 3 Oven temperature indicator
- 4 Temperature control knob
- 5 Cook and hold switch
- 6 Cook and hold indicator
- 7 Cook and hold timer
- 8 60-minute timer
- 9 Interior light switch
- 10 Water injection switch

Cooking

- 1 Connect the unit to the electricity supply. The green indicator (2) lights up when there is power to the unit.
- 2 Make sure the oven door is shut.
- 3 Turn the mains switch (1) on: the switch lights up.
- 4 Turn the control knob (4) to the required temperature.
- 5 The amber indicator (3) will go out when the oven has reached the required temperature.

Cook and hold function

- 1 Switch the cook and hold switch (5) to ON. The cook and hold indicator (6) lights up.
- 2 Set the cook and hold timer (7) to the required cooking time. After the time set has elapsed the oven cools gradually to approximately 80°C.
- 3 The temperature is maintained at approximately 80°C until the oven is turned off.

Interior lights

Press the light switch (9) to turn the lights on and off

Water injection

The water injection switch (10) sprays water into the oven cavity to create steam.

60-minute timer

Turn the knob (8) to the required time. A bell sounds when the time has elapsed.